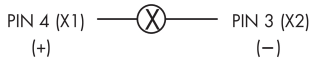
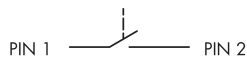
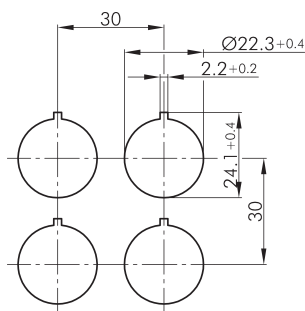
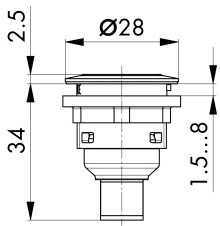




Illuminated pushbutton with 4-pole M12 connector STLI_C005

Description: with integrated 4-pole M12 connector, A coded incl. white LED

Category: Pushbuttons
 Series: SHORTRON® connect
 Panel cut-out: Ø 22.3 mm
 Mounting depth: 33.7 mm
 Protection class: II (protective insulation)
 Degree of protection: IP65 / IP67
 Switching function: momentary action
 Travel: 2.3 mm (pushbutton)
 Illumination: yes
 With labelling option: yes
 Contact equipment: 1 NO
 Connection type: 4-pole M12 connector (integrated), A coded silver-coloured
 Front bezel: silver-coloured
 Positive opening:
 Operating temperature: -25°C ... 70°C
 Mechanical life: 1 million switching cycles
 Electrical life: 1 million switching cycles
 Storage temperature: -40°C ... 80°C
 Shape: round
 Contact material: AgNi
 Lamp socket: none, with integrated 3 mm LED white



0 1 2

PIN 1 / PIN 2

